

This 6 Pin cylinder is manufactured with the locking cam offset in the closed position. It has four hardened anti-drill pins (two in the shank and two in the plug) and has been successfully tested to BSEN1303 Grade 3 with Anti drill Grade 4 approved.

Supplied complete with M5 fixing screw and 3 keys per cylinder. A standard key blank is available from stock.

Part No.	Description	Box Qty.
032121	40/40 Brass	50
032123	40/50 Brass	50
032146	40/55 Brass	50
032124	40/60 Brass	50
032116	45/45 Brass	50
032150	45/50 Brass	50
032117	45/55 Brass	50

Part No.	Description	Box Qty.
032047	40/40 NP	50
032045	40/50 NP	50
032026	40/55 NP	50
032046	40/60 NP	50
032064	45/45 NP	50
032050	45/50 NP	50
032065	45/55 NP	50

Part No.	Description Keyed Alike in Pairs	Box Qty.
032121KA2	40/40 Brass	50
032123KA2	40/50 Brass	50
032146KA2	40/55 Brass	50
032124KA2	40/60 Brass	50
032116KA2	45/45 Brass	50
032150KA2	45/50 Brass	50
032117KA2	45/55 Brass	50

Part No.	Description Keyed Alike in Pairs	Box Qty.
032047KA2	40/40 NP	50
032045KA2	40/50 NP	50
032026KA2	40/55 NP	50
032046KA2	40/60 NP	50
032064KA2	45/45 NP	50
032050KA2	45/50 NP	50
032065KA2	45/55 NP	50



Part No.	Description	Box Qty.
032116TF	45/45 Brass F Knob	50
032121TF	40/40 Brass F Knob	50
032151TF	50/50 Brass F Knob	50



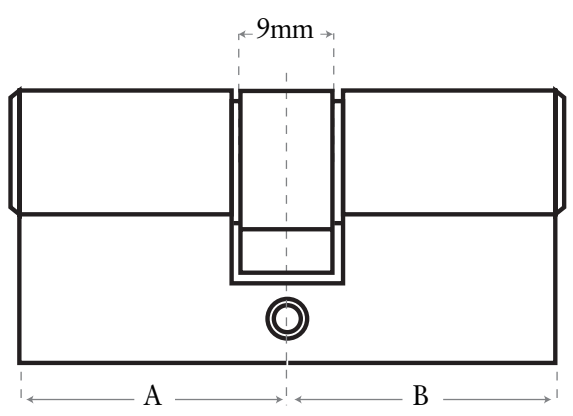


Quality Door and Window Fittings

# Euro Profile Cylinders

## BS EN 1303 CYLINDER

D30 0907



Length (mm) - A  
Length (mm) - B

